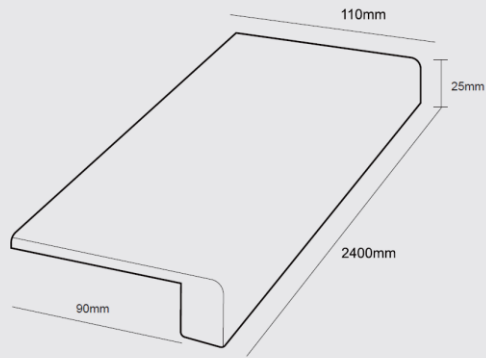
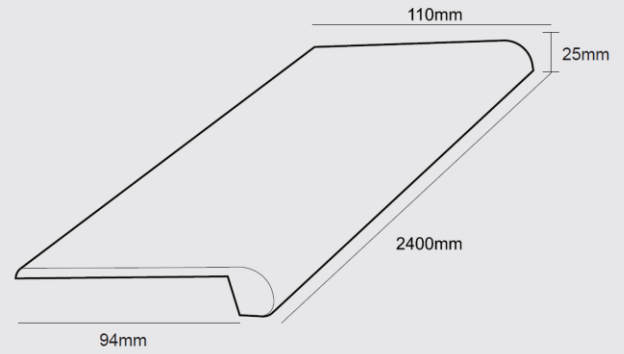


Painted Sky Molding SPEC

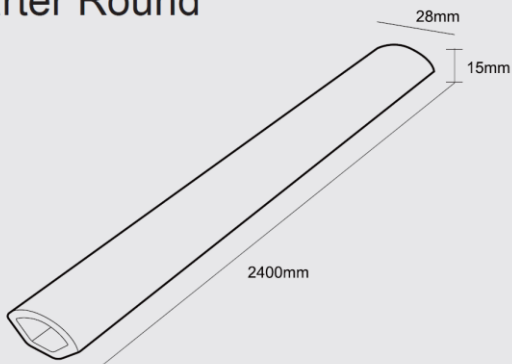
Square Stair Nose



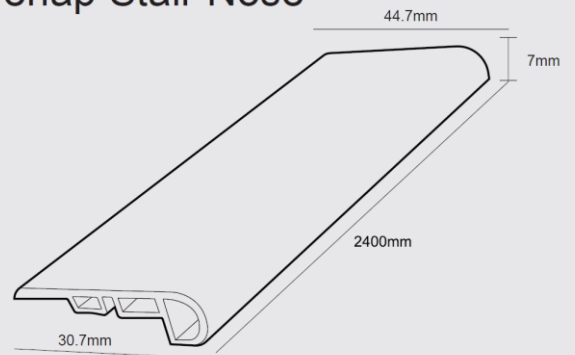
Flush Stair Nose



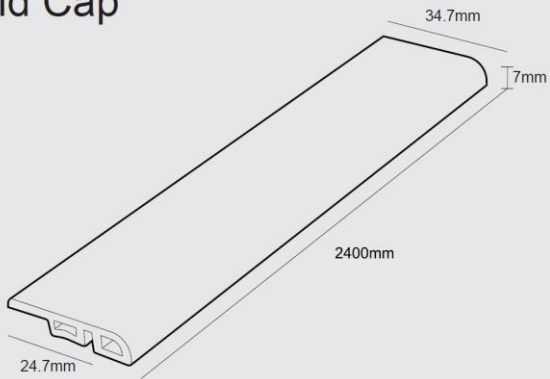
Quarter Round



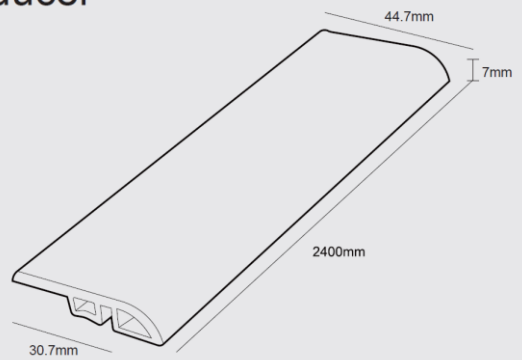
Overlap Stair Nose



End Cap



Reducer



T-molding

